



**Ontario Industrial Supply**

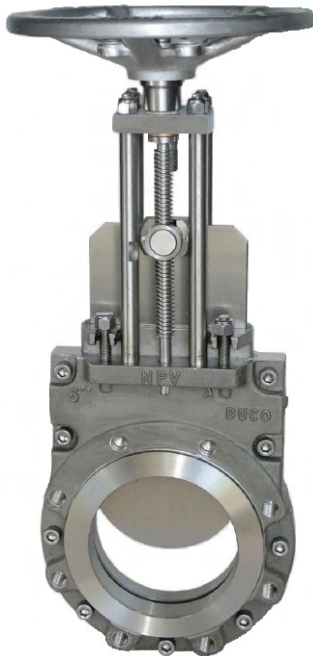
**NPV  
Knife  
Gate Valve**

## Duco Bidirectional Stainless Steel Knife Gate Valve



North Port Valve's Duco model knife gate valve conforms to TAPPI TIS 405.8 face to face standards and is tested to MSS SP-81 specifications. The Full lug body is drilled and tapped to ASME Class 150 and is available in with a variety of seats.

### Features and Benefits:

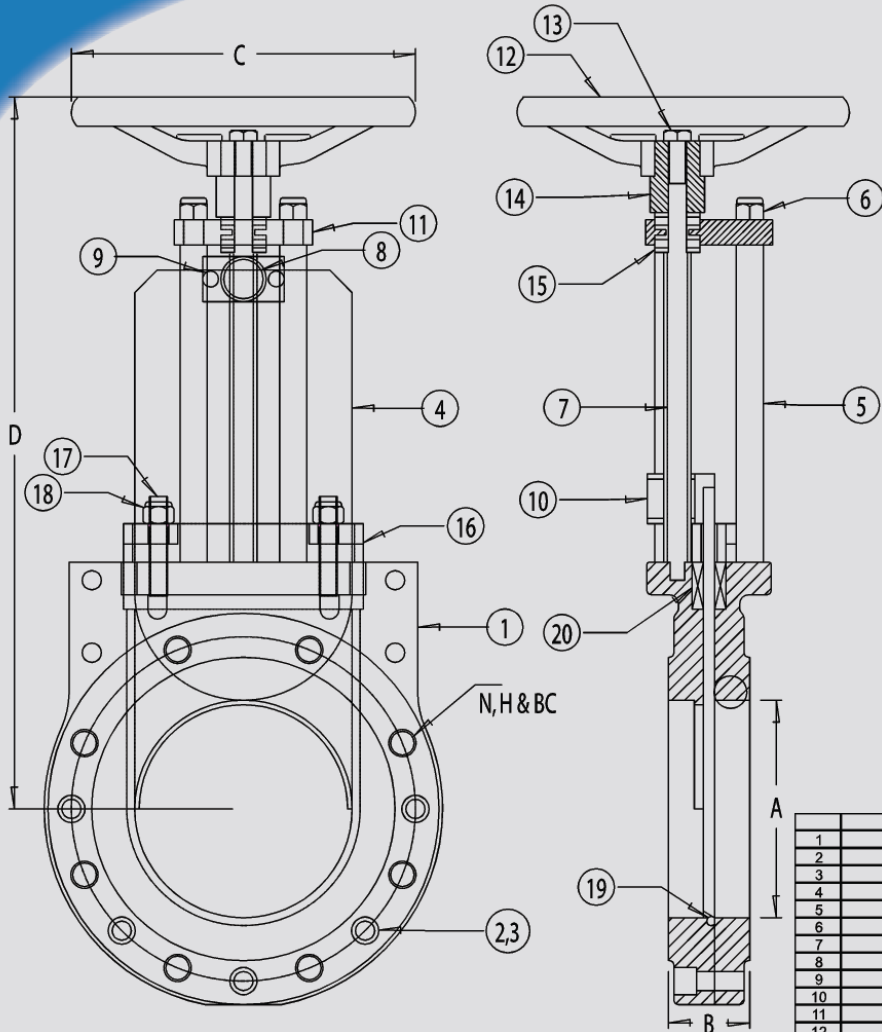


- Full Port Cavity Free Design can easily handle slurries, powders, plastics and other solids handling applications.
- Perimeter O-ring seat provides bidirectional bubble tight shutoff
- O-Ring is mechanically retained between body halves preventing any movement during cycles assuring bubble tight shutoff.
- Body halves serve as scraper blades for the gate thus preventing excessive solid materials from entering packing area.
- Non-rise stem design eliminates potential safety hazard caused by rising stem valves and performs better in high vibration areas.
- Allows for flexibility of using O-Ring seat or replaceable cartridge seats depending on nature of application.
- Deep stuffing box along with special live loaded packing ensures long term external gate seal.
- Two-piece body design simplifies repair/replacement of gate, packing and seat ring.
- All external valve components (Stanchions, bolting, bridge, stem and packing follower) are stainless steel construction which minimizes external corrosion.

Available through Ontario Industrial Supply  
Burlington, Ontario, Canada  
Email: [sales@ontarioindustrialsupply.com](mailto:sales@ontarioindustrialsupply.com)



# DUCO Bidirectional Perimeter Seated Full Port Cavity Free Design



	PART NAME	MATERIAL
1	BODY	CG8M (317 S.S.)
2	BODY BOLTS	18.8 S.S.
3	BODY NUTS	18.8 S.S.
4	GATE	316L S.S.
5	STANCHION	303 S.S.
6	NYLOK NUT	18.8 S.S.
7	STEM	303 S.S.
8	COUPLING	303 S.S.
9	COUPLING BOLT	18.8 S.S.
10	STEM NUT	660 BRONZE
11	BRIDGE	304 S.S.
12	HANDWHEEL	ALUMINUM
13	HANDWHEEL BOLT	18.8 S.S.
14	YOKE	303 S.S.
15	BEARINGS	N/A
16	GLAND	CG8M (317 S.S.)
17	GLAND STUDS	18.8 S.S.
18	GLAND NYLOK NUT	18.8 S.S.
19	O-RING	VITON
20	PACKING	SYNTHETIC TEFLON

	3"	4"	6"	8"	10"	12"	14"	16"
<b>A</b>	3"	4"	6"	8"	10"	12"	14"	16"
<b>B</b>	2"	2"	2 1/4"	2 3/4"	2 3/4"	3"	3"	3 1/2"
<b>N(HOLES)</b>	4	8	8	8	12	12	12	16
<b>H(TAP)</b>	5/8" - 11	5/8" - 11	3/4" - 10	3/4" - 10	7/8" - 9	7/8" - 9	1" - 8	1" - 8
<b>BC</b>	6"	7 1/2"	9 1/2"	11 3/4"	14 1/4"	17"	18 3/4"	21 1/4"
<b>C</b>	7 1/2"	7 1/2"	9"	11 3/4"	11 3/4"	15 3/4"	15 3/4"	15 3/4"
<b>D</b>	15 1/2"	17"	20 1/4"	25"	30"	33 7/8"	36 7/8"	44 1/2"

Available through Ontario Industrial Supply  
 Burlington, Ontario, Canada  
 Email: sales@ontarioindustrialsupply.com