



NPV Stainless Steel Knife Gate Valve (Uni-Directional)



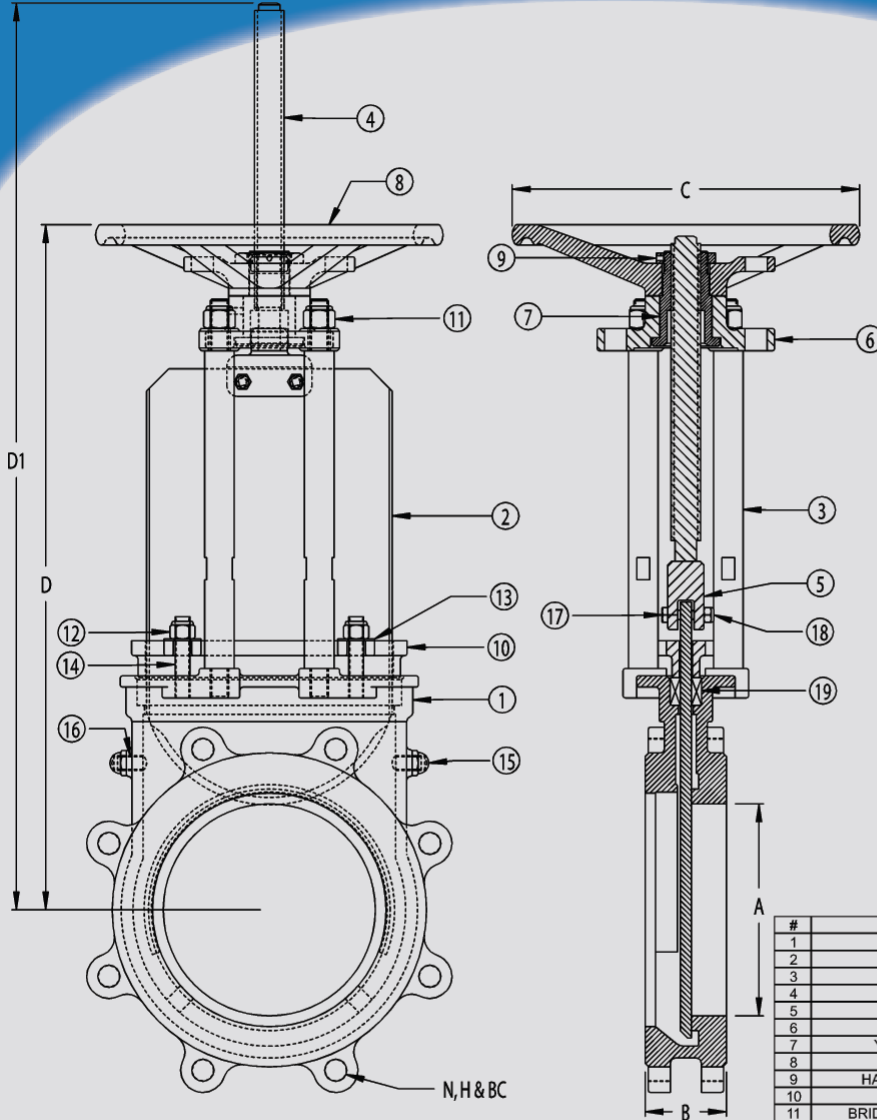
These knife gate valves conform to TAPPI TIS 405.8 face to face standards and are tested to MSS SP-81 specifications. The Full lug body is drilled and tapped to ASME Class 150 and is available in both metal seated and soft seated.

Features and Benefits:

- Unidirectional casting provides full guiding of gate throughout the cycle which prevents any gate distortion even in the event of back pressure. This also extends the life of the packing material
- Available in either Metal seated (Class 4), or resilient seated (Bubble tight shutoff)
- Can be supplied with lockout bar option.
- Manufactured as standard to accept cylinder operator either factory installed or field installed
- All stainless steel components (excluding handwheel)
- Available from 2"-24"
- Note: all unidirectional valves must have pressure behind the gate upon closing for proper sealing



NPV Undirectional Valve



#	PART NAME	MATERIAL
1	BODY	CG8M (317 S.S.)
2	GATE	316L S.S.
3	STANCHION	303 S.S.
4	STEM	303 S.S.
5	COUPLING	CG8M (317 S.S.)
6	BRIDGE	ALUMINUM 356
7	YOKE SLEEVE	660 BRONZE
8	HANDWHEEL	ALUMINUM
9	HANDWHEEL NUT	NAVY BRASS
10	GLAND	CG8M (317 S.S.)
11	BRIDGE NYLOCK NUT	18.8 S.S.
12	GLAND NYLOCK NUT	18.8 S.S.
13	GLAND WASHER	18.8 S.S.
14	GLAND STUD	18.8 S.S.
15	ACORN NUT	BRASS
16	ALIGNMENT STUD	18.8 S.S.
17	COUPLING BOLT	18.8 S.S.
18	COUPLING NYLOCK NUT	18.8 S.S.
19	PACKING	TEFLON

	2"	3"	4"	5"	6"	8"	10"	12"	14"	16"	18"	20"	24"	30"	36"
A	2"	3"	3 3/4"	4 7/8"	5 3/4"	7 5/8"	9 1/2"	11 1/8"	13 3/16"	15 35/64"	17 7/16"	19 11/32"	23"	28 5/16"	33 1/2"
B	1 7/8"	2"	2"	2 1/4"	2 1/4"	2 3/4"	2 3/4"	3"	3"	3 1/2"	4 1/2"	4 1/2"	4 1/2"	4 1/2"	5"
N(HOLES)	4	4	8	8	8	8	12	12	12	16	16	20	20	28	32
H(TAP)	5/8" - 11	5/8" - 11	5/8" - 11	3/4" - 10	3/4" - 10	3/4" - 10	7/8" - 9	7/8" - 9	1" - 8	1" - 8	1 1/8" - 7	1 1/8" - 7	1 1/4" - 7	1 1/4" - 7	1 1/2" - 7
BC	4 3/4"	6"	7 1/2"	8 1/2"	9 1/2"	11 3/4"	14 1/4"	17"	18 3/4"	21 1/4"	22 3/4"	25"	29 1/2"	36"	42 3/4"
C	7 1/2"	7 1/2"	7 1/2"	9"	9"	11 3/4"	11 3/4"	15 3/4"	15 3/4"	15 3/4"	20"	20"	23 5/8"	26 3/4"	31 1/2"
D	11 5/8"	13 1/2"	15"	17"	18 1/4"	23"	28"	31 7/8"	36 7/8"	44 1/2"	48 1/4"	53 7/8"	61"	72 1/2"	90"
D1	14 3/4"	17 1/8"	19"	22 3/8"	23 1/2"	30 5/8"	37 1/2"	43 7/8"	50 5/8"	60 1/2"	66"	73 5/8"	84 3/4"	106"	129"
WGT.	21	27	32	38	48	86	120	164	228	390	438	630	960	1390	1820

Available through Ontario Industrial Supply
Burlington, Ontario, Canada