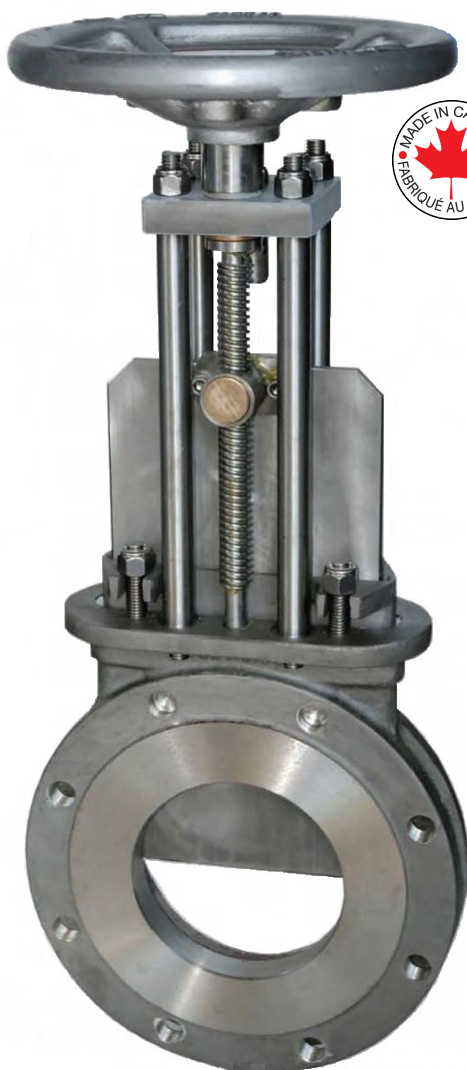




NPV Stainless Steel Knife Gate Valve (Bi-Directional)



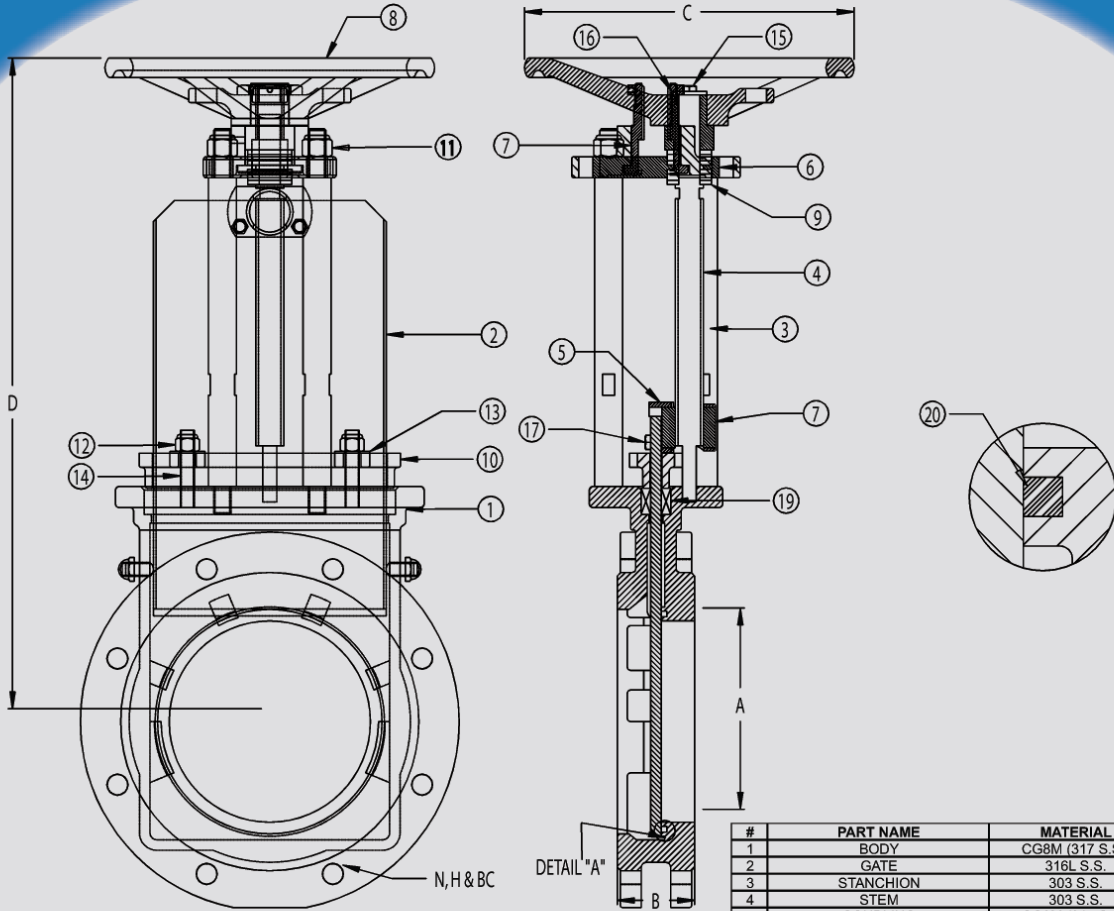
These knife gate valves conform to TAPPI TIS 405.8 face to face standards and are tested to MSS SP-81 specifications. The Full lug body is drilled and tapped to ASME Class 150 and is available in both metal seated and soft seated.

Features and Benefits:

- Bidirectional bubble tight shut off with elastomer seat allows for installation in either direction.
- Beveled gate edge assists in removing any solid material that may plug in lower section of valve body.
- Available in either Metal seated (Class 4), or resilient seated (Bubble tight shutoff)
- Can be supplied with lockout bar option.
- Manufactured as standard to accept cylinder operator either factory installed or field installed
- All stainless steel components excluding handwheel (Stainless handwheel available)
- Available from 2"-24"
- Replaceable seat cartridge with various types of seat options.



NPV Bidirectional Valve



#	PART NAME	MATERIAL
1	BODY	CG8M (317 S.S.)
2	GATE	316L S.S.
3	STANCHION	303 S.S.
4	STEM	303 S.S.
5	COUPLING	CG8M (317 S.S.)
6	BRIDGE	303 S.S.
7	STEM NUT	660 BRONZE
8	HANDWHEEL	ALUMINUM
9	BEARINGS	N/A
10	GLAND	CG8M (317 S.S.)
11	BRIDGE NYLOCK NUT	18.8 S.S.
12	GLAND NYLOCK NUT	18.8 S.S.
13	GLAND WASHER	18.8 S.S.
14	GLAND STUD	18.8 S.S.
15	HANDWHEEL BOLT	18.8 S.S.
16	WASHER	18.8 S.S.
17	COUPLING BOLT	18.8 S.S.
18	COUPLING NYLOCK NUT	18.8 S.S.
19	PACKING	TEFLON
20	O-RING	VITON

	2"	3"	4"	5"	6"	8"	10"	12"	14"	16"	18"	20"	24"	30"	36"
A	2"	3"	3 3/4"	4 7/8"	5 3/4"	7 5/8"	9 1/2"	11 1/8"	13 3/16"	15 35/64"	17 7/16"	19 11/32"	23"	28 5/16"	33 1/2"
B	1 7/8"	2"	2"	2 1/4"	2 1/4"	2 3/4"	2 3/4"	3"	3"	3 1/2"	3 1/2"	4 1/2"	4 1/2"	4 1/2"	5"
N(HOLES)	4	4	8	8	8	8	12	12	12	16	16	20	20	28	32
H(TAP)	5/8" - 11	5/8" - 11	5/8" - 11	3/4" - 10	3/4" - 10	3/4" - 10	7/8" - 9	7/8" - 9	1" - 8	1" - 8	1 1/8" - 7	1 1/8" - 7	1 1/4" - 7	1 1/4" - 7	1 1/2" - 7
BC	4 3/4"	6"	7 1/2"	8 1/2"	9 1/2"	11 3/4"	14 1/4"	17"	18 3/4"	21 1/4"	22 3/4"	25"	29 1/2"	36"	42 3/4"
C	7 1/2"	7 1/2"	7 1/2"	9"	9"	11 3/4"	11 3/4"	15 3/4"	15 3/4"	20"	20"	23 5/8"	26 3/4"	31 1/2"	
D	11 5/8"	13 1/2"	15"	17"	18 1/4"	23"	28"	31 7/8"	36 7/8"	44 1/2"	48 1/4"	53 7/8"	61"	72 1/2"	90"

Available through Ontario Industrial Supply
 Burlington, Ontario, Canada
 Email: sales@ontarioindustrialsupply.com